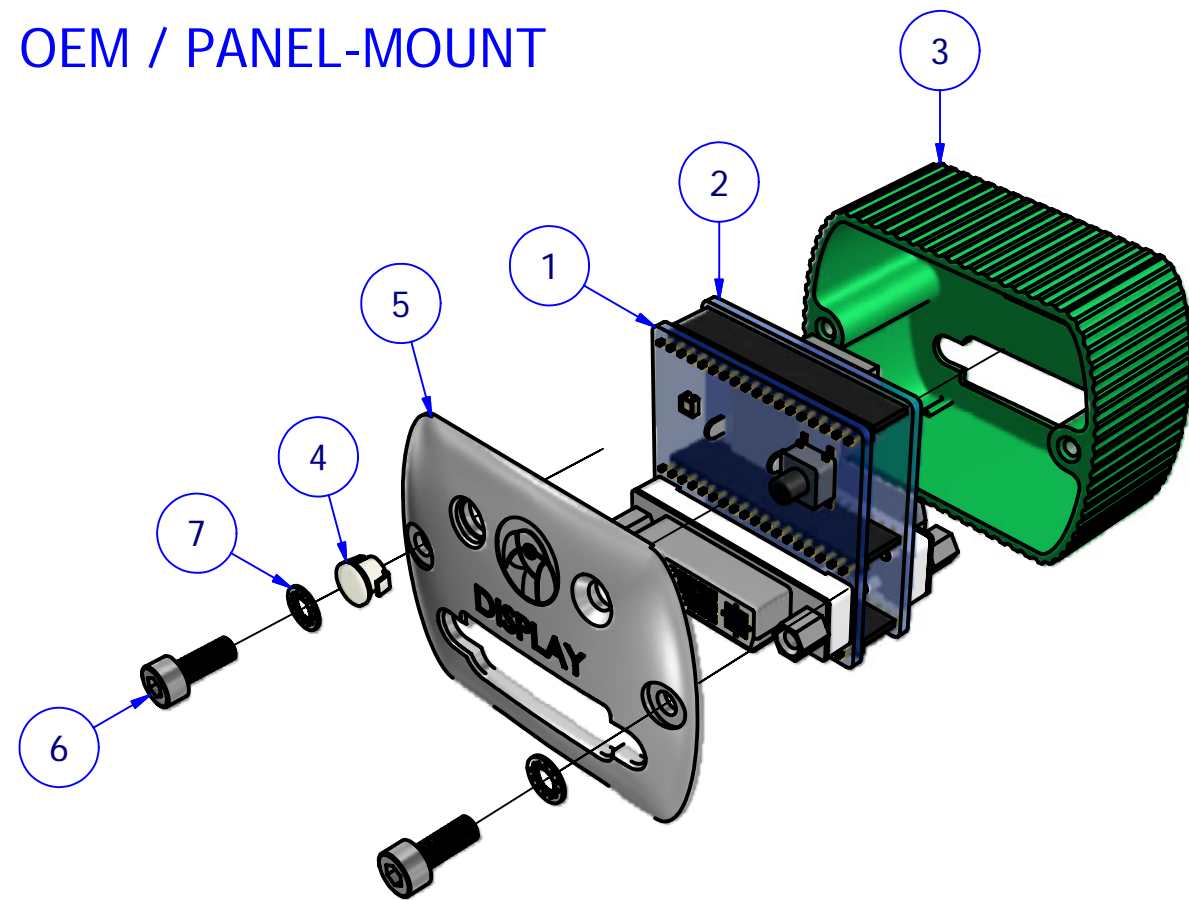
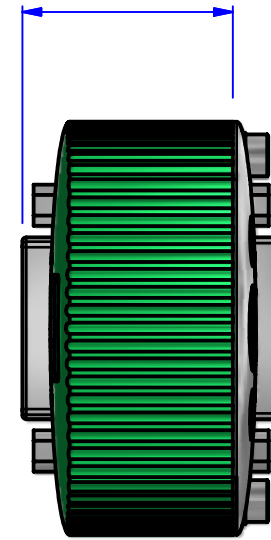


OEM / PANEL-MOUNT

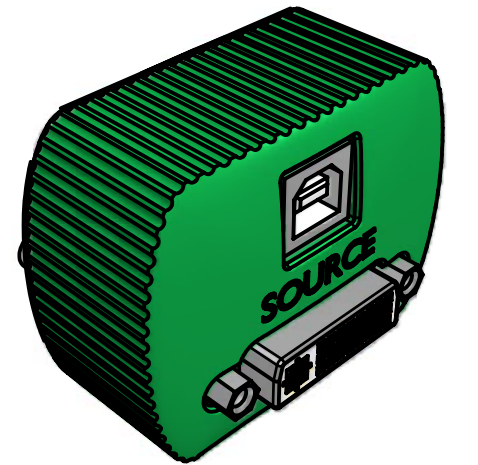
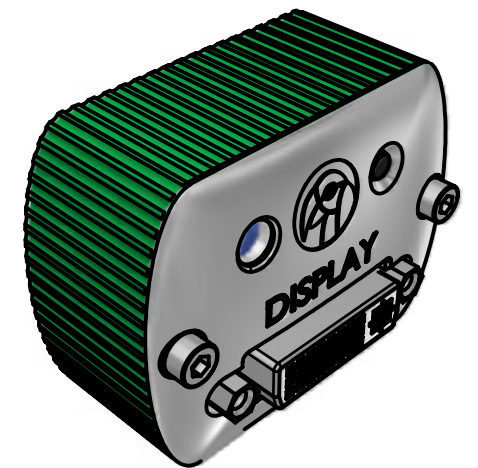


EXPLODED

1.096 [27.8] CABLE INSERTION / PANEL DEPTH



(1:1)



STAND-ALONE

Parts List			
ITEM	QTY	PART NUMBER	NOTES
1	1	PARROT_DISPLAY-SIDE_PCB_ASSY	
2	1	PARROT_PC-SIDE_PCB_ASSY	
3	1	PARROT_CASE	
4	1	TOBY_LEM-7_PANEL_LIGHTPIPE	
5	1	PARROT_PLATE	STAND-ALONE ONLY
6	2	M3x8_SKT_CAP_SCREW	STAND-ALONE ONLY
7	2	M3_LOCK_WASHER	STAND-ALONE ONLY

Designed by Nick Archdale	Checked by	Approved by	Date 25/08/2009	Date		Carallon DVI Parrot Assy PARROT_ASSY	Edition PTT	Sheet 1 / 1